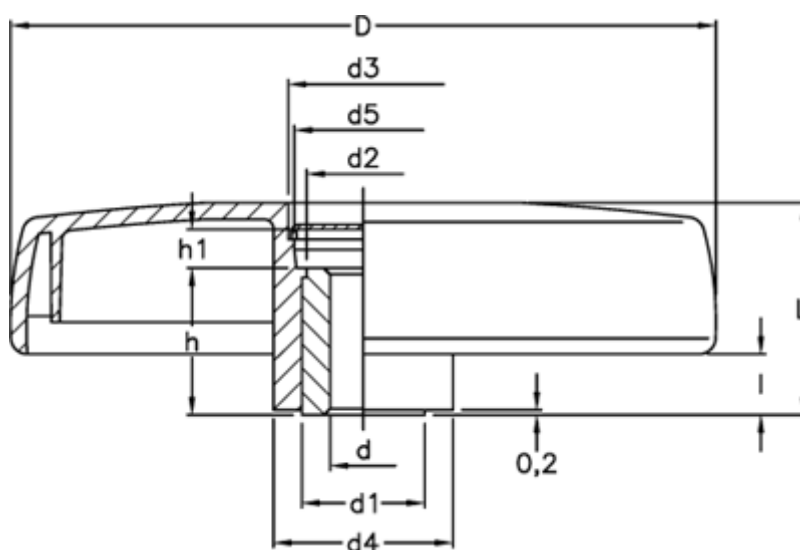


Article number: 2301072741
Description: E+G Handwheel
VDS.150-A14

Measures



C (N m) = 180	h = 30
D = 150	h1 = 10
d1 = 26	l = 12
d2 = 24	L = 44
d3 = 34	L (J) = 26
d4 = 38	
d5 = 30	
d H7 = 14	